



# Shock Absorbers fit with confidence!

ACDelco offers a range of shock absorbers and struts for passenger cars and light commercials.

## FEATURES & BENEFITS:

- / Chrome plated and highly polished piston rods for longer life.
- / Road Response speed sensitive technology for comfort and control.
- / All weather internal fluid for handling extremes.
- / Spring loaded rod seal for greater durability.
- / High pressure nitrogen gas for more consistent control (selected applications).
- / Drawn over mandrel tubing for a smoother ride.
- / Teflon impregnated "O" ring piston seal for better consistency.



**ACDelco offers a comprehensive Product Range to suit Most Makes & Models.**

*For your nearest ACDelco Automotive Parts Stockist call 1800 ACDelco*

1800 ACDelco  
acdelco.com.au

**Suits Most Makes Most Models**

**ACDelco**

# Shock Absorbers

## What Are The Advantages You'll Find Inside ACDelco's Gas Shock Absorbers And Struts?

### Chrome Plated & Highly Polished Piston Rods For Longer Life

Strut, Cartridge and Gas Shock rods are entirely chrome plated whether exposed or not. Piston Rods are highly polished. Chrome plating provides ...

- Smoother Surface
- Longer Seal Life

### Road Response™ Speed Sensitive Technology For Comfort And Control

- ACDelco's Road Response technology is Speed Sensitive
- Automatically adjusts to provide comfort or extra control when needed throughout the entire range of motion!

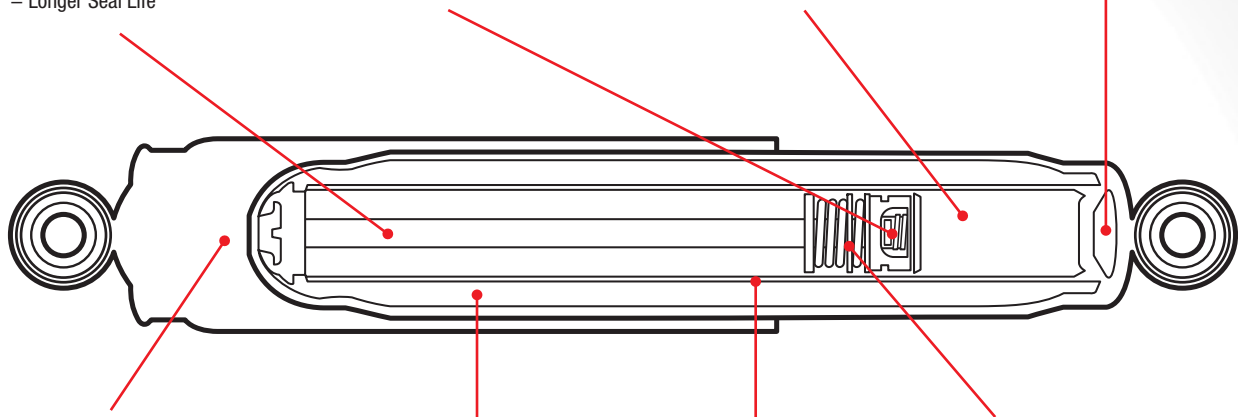
### All Weather Internal Fluid Handles Extremes

All weather fluid maintains its viscosity and consistency over a wide range of operating temperatures, offering ...

- Smooth Operation
- Less Friction
- Increased Longevity

### Tougher, Larger Compression Valve

- Larger, stronger valve retainer is less susceptible to damage or failure on severe impacts



### Spring Loaded Rod Seal For Greater Durability

- Full perimeter piston rod seal
- Spring loaded
- Triple edged
- Seal is permanently lubricated, not requiring internal fluid to reduce seal-to-piston-rod friction
- Increased seal life

### High Pressure Nitrogen Gas For More Consistent Control

- Less aeration and fade for more consistent control and increased spring rate

### Teflon Impregnated "O" Ring Piston Seal For Better Consistency

- "O" Ring provides a positive hydraulic seal
- No blow by of fluids
- More consistent damping

### Drawn Over Mandrel (DOM) Tubing For A Smoother Ride

Round, smooth contact surface for "O" ring piston seal, providing...

- A smoother ride and
- Longer seal life

**For full application details refer to the ACDelco Shock Absorber catalogue available from your ACDelco Distributor or Stockist or download it from [www.acdelco.com.au](http://www.acdelco.com.au)**

Available From: